

**TD2100 Electric Gummed Tape Dispenser  
Owner's Manual**



**MARSH®**

**Marsh Shipping Supply Co. LLC**

926 McDonough Lake Road  
Collinsville, IL 62234

[www.msscllc.com](http://www.msscllc.com)

Phone: (618)-343-1006

Fax: (618)-343-1016

*A wall-socket must be close to the product and readily accessible.*

*The overall system is protected against overload by the branch circuit protection in accordance with the current edition of the NEC or CEC*

## Table of Contents

|                             |    |
|-----------------------------|----|
| Introduction.....           | 3  |
| Warranty Information: ..... | 4  |
| Specifications .....        | 5  |
| Setup Instructions.....     | 6  |
| Operating Instructions..... | 9  |
| Maintenance .....           | 12 |
| Troubleshooting .....       | 14 |

## **Introduction**

*Congratulations on the purchase of your new **MARSH TD2100** gummed tape dispenser from MSSC, LLC. We are confident you will be very pleased with the operation and performance of this durable, quality built machine for many years to come.*

*The TD2100 Electric Taper Technical Manual provides the necessary information about the operation, maintenance, and repair of your new tape dispenser. However, MSSC does have a policy of continual product improvement. So, MSSC reserves the right to modify the information contained within the manual without prior notice.*

*The setup section was designed to simplify the setup of the machine and allow you to get the machine up and running so that the machine can do what it is designed to do... dispense gummed tape quietly, quickly and accurately.*

*The operating section provides information on the operation of the machine, i.e. keystroke operation, programming repeat lengths, etc.*

*The maintenance section provides information about required care and maintenance of the machines and further adjustments if required for your particular use.*

*This technical manual provides a troubleshooting and repair sections to help you with possible operating problems and corrective actions. Should you require replacement parts, please refer to the provided parts list and the corresponding exploded view drawings.*

*For assistance, or if you would like to obtain information about any Marsh product, contact your Marsh distributor or MSSC, LLC at:*

### **MSSC, LLC**

*Address: 926 McDonough Lake Road  
Collinsville, IL 62234 USA*

*Telephone: (618) 343-1006  
Fax: (618) 343-1016  
E-mail: [quality.ovl@msscllc.com](mailto:quality.ovl@msscllc.com)  
Website: [www.msscllc.com](http://www.msscllc.com)*

## **Warranty Information:**

*MSSC, LLC warrants that your selling distributor will repair, replace, or adjust components found to be defective in factory materials or workmanship for a period of 18 months. Your Marsh distributor will provide free service for ninety (90) days from the beginning of the warranty period. The warranty period begins on the original installation date as indicated on your on-line warranty registration.*

### *Conditions of warranty:*

- 1. Properly regulated and grounded electrical power that is free of surges and spikes must be provided for electrical equipment.*
- 2. Operating personnel must be properly instructed on use of machine.*
- 3. Maintenance procedures must be observed – see Owner's Manual.*
- 4. Use only approved Marsh accessories and replacement parts.*
- 5. Warranty must be validated by Marsh MSSC, LLC. If no warranty is submitted, coverage begins on the date of shipment from MSSC, LLC.*

Exclusions: Damage due to tampering, abuse, improper adjustments, use of non-approved components or electrical interference will not be covered by the warranty.

## Specifications

**Net and Shipping Weight:** 26 pounds (11.8 kg); 32 pounds (14.5 kg)

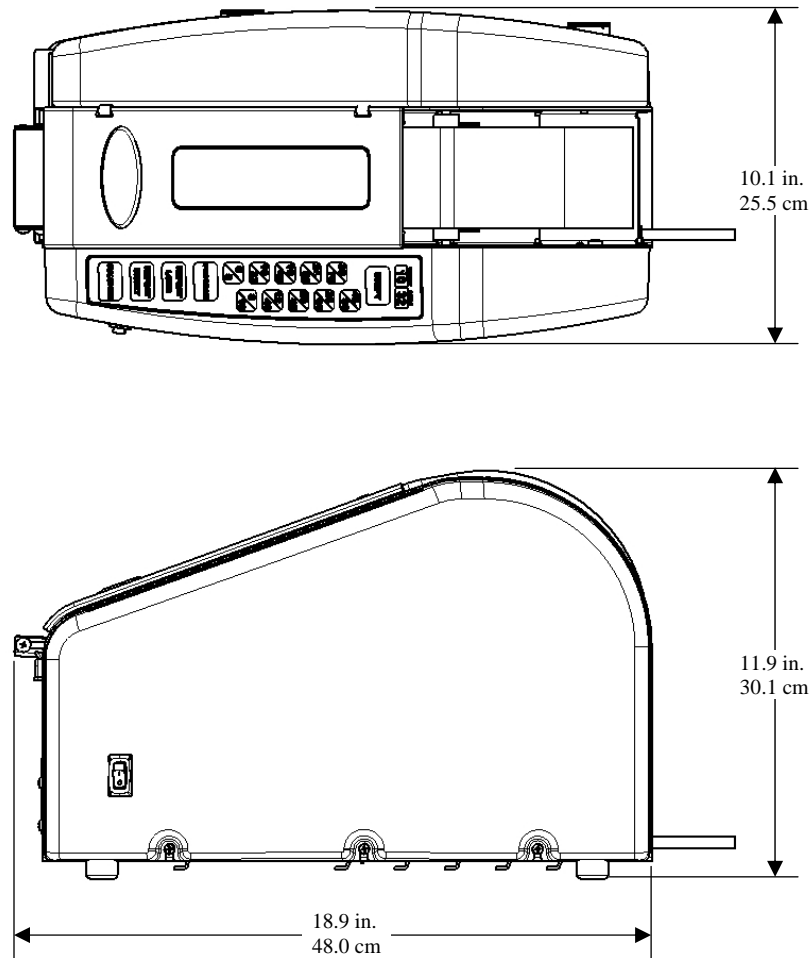
**Water Bottle Capacity:** 70 ounces (2070 ml)

**Tape:** Dry gummed tape – paper or reinforced – between 1 to 3 inches (25.4 to 76.2 mm) wide, up to 1000 feet (304.8 m) long and 9 (228.6 mm) inches max roll diameter

**Electrical Requirements:** 115 volts AC or 220 volts AC  
50/60 Hz  
4 amps at 115 volts  
2 amps at 220 volts

**Power Cord Length:** 7 feet (2.3 m)

### Dimensions:



**Figure 1 - Tape Machine Dimensions**

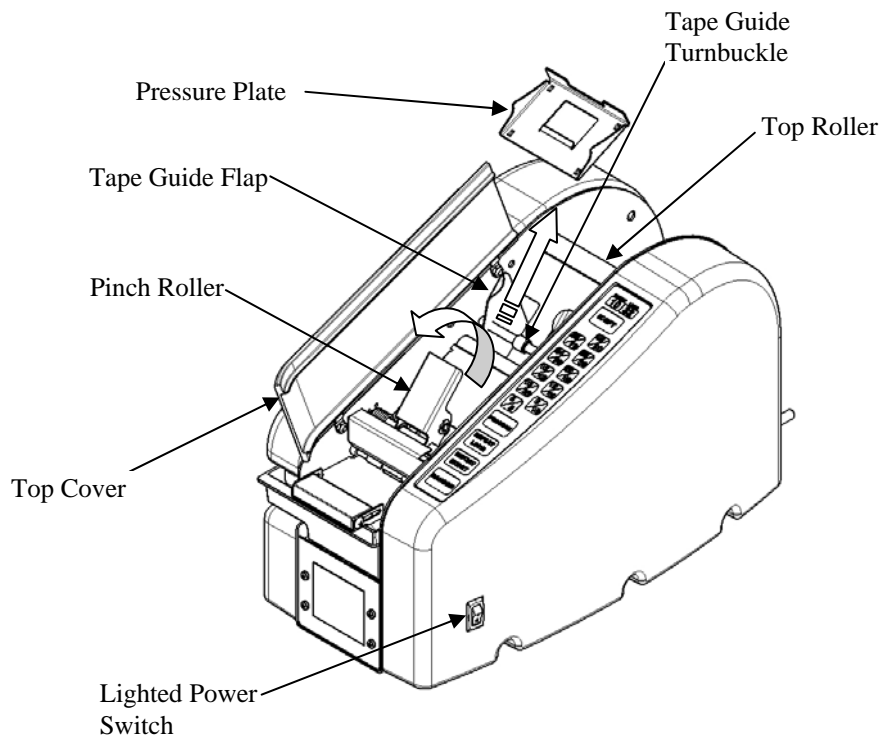
# Setup Instructions

## Loading Tape – refer to Figures 2 & 3

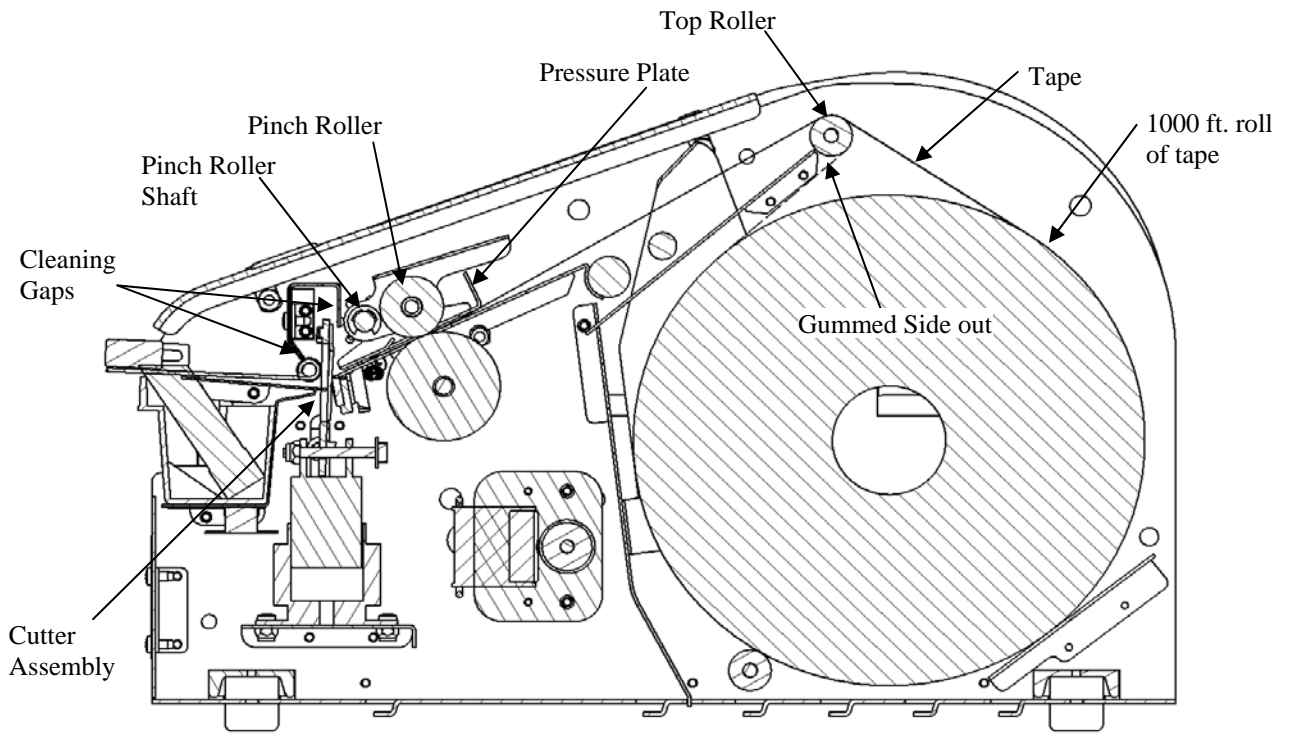
1. Open the top cover of the machine.
2. Adjust the tape guides, with the tape guide turnbuckle, wide enough to get the tape between them.
3. Place the roll of tape into the machine.
4. Adjust the tape guides, with the tape guides turnbuckle, to hold the tape in the middle of the machine with a 1/8” clearance on both sides.
5. Remove the pressure plate from the machine.
6. Feed the tape, gummed side down, over the top roller, under the tape guide flaps, and then under the pinch roller, see Figure 3.

*NOTE: For gummed side out tape (typically used in Europe), load the tape roll opposite as shown and route the gummed side over the top roller.*

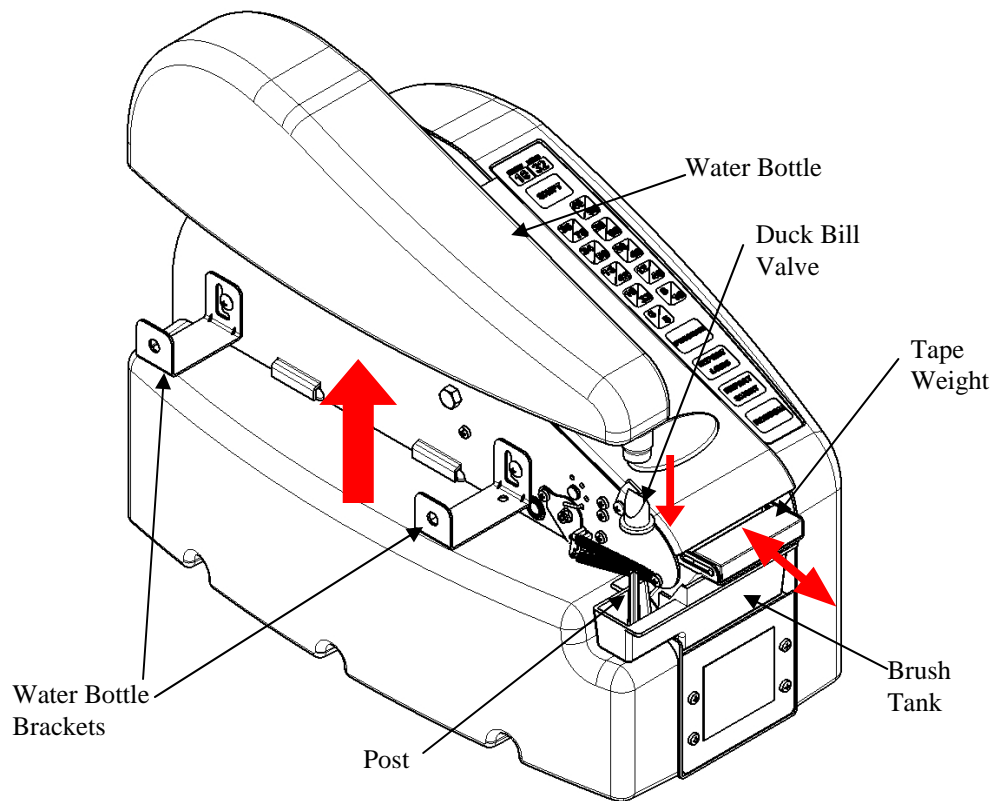
7. Place the pressure plate over the tape and release the pinch roller.
8. Close the top cover.



**Figure 2 – Loading Tape**



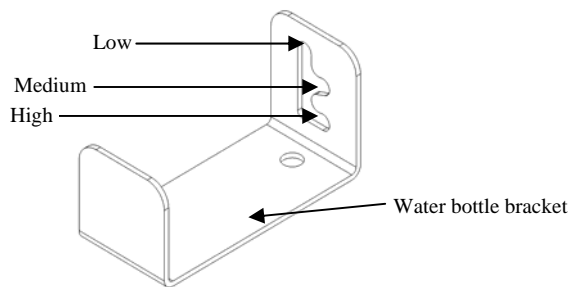
**Figure 3 – Tape Routing**



**Figure 4 – Filling the Water Bottle, Adjusting the Brush Tank Water Level, Adjusting the Tape Weight**

#### **Filling the Water Bottle – Figure 4**

1. Remove the water bottle from the machine.
2. Remove the duckbill valve from the water bottle.
3. Fill the water bottle with water.
4. Place the duckbill valve back into the water bottle.
5. Place the water bottle back onto the machine; verify that the post in the brush tank is inserted through the duckbill valve.



**Figure 5 – Adjustable Water Level Positions**

#### **Adjusting the Brush Tank Water Level – Figures 4 and 5**

1. Loosen the retaining screws on the water bottle brackets.
2. Move the water bottle brackets to the desired position to obtain the desired water level in the brush tank, light weight tapes would typically be set at the low position, Figure 5.
3. Both brackets should be at the same position.
4. Tighten the retaining screws on the water bottle brackets.

#### **Adjusting the Tape Weight – Figure 4**

1. Loosen the retaining screw.
2. Slide the tape weight forward for greater pressure, typically heavy weight tapes which will apply more water on the tape.
3. Slide the tape weight backwards less pressure, typically light weight tapes which will apply less water on the tape.
4. Tighten the retaining screw.



# Operating Instructions

## Standard Keypad

**Pre-Programmed Lengths and SHIFT** – There are 20 common lengths of tape pre-programmed into the memory of your TD2100 automatic tape dispenser. Simply press one of the ten length keys and the length in black is dispensed. To dispense the lengths in red press the **SHIFT** key then press the corresponding length key.

**REPEAT SHORT and REPEAT LONG** – It is possible to store any of the 20 pre-programmed lengths into the convenient REPEAT SHORT or REPEAT LONG keys. To do so, press **PROGRAM**, the desired length (red lengths require SHIFT key to be pressed first) and then the REPEAT SHORT or REPEAT LONG your preference. *While in PROGRAM MODE no tape is dispensed*, display flashes, and flashing stops when programming is completed or PROGRAM is pressed to cancel mode.

**RANDOM** – The RANDOM key allows the user to dispense tape while pressed and the machine will cut the tape when the RANDOM key is released.

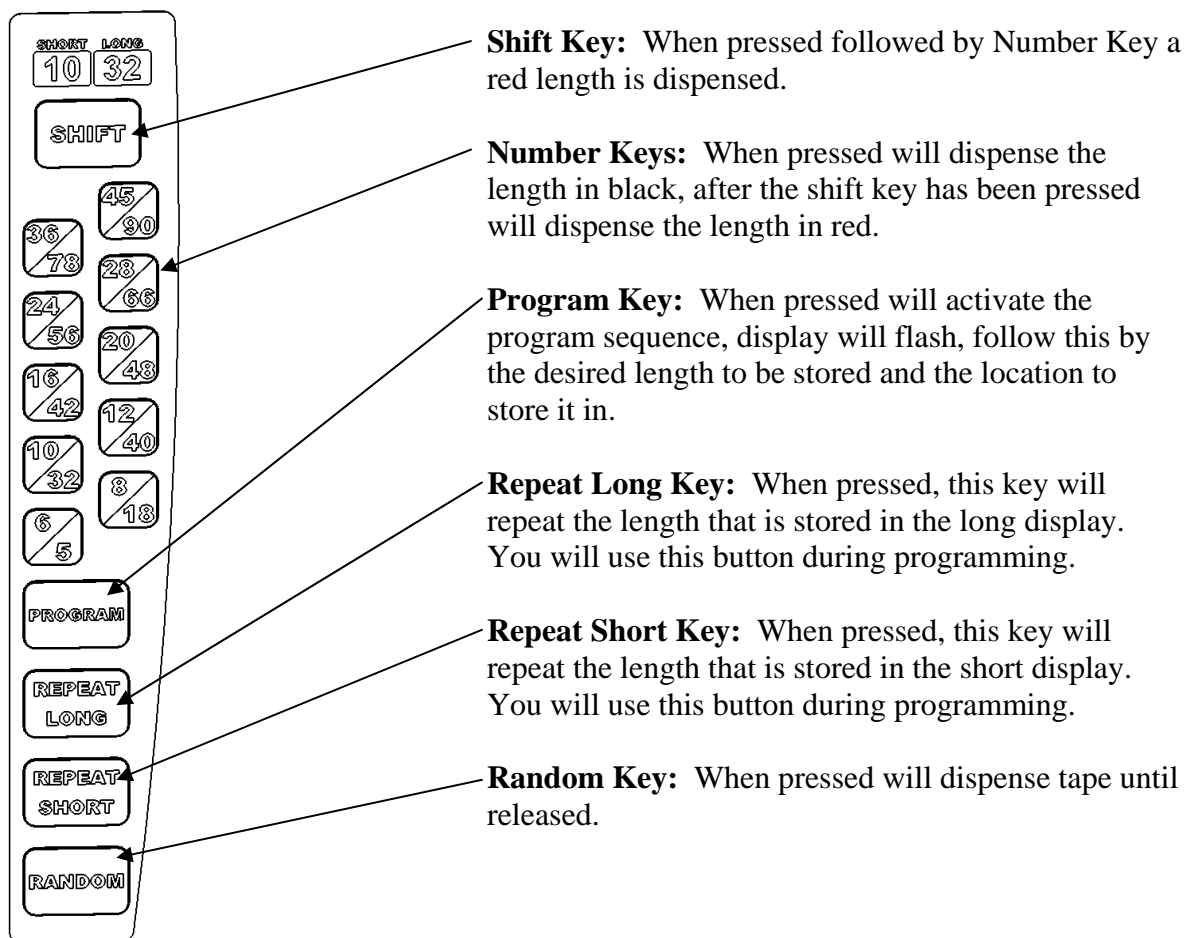


Figure 6 – Standard Keypad

## TD2100 PREMIUM Keypad

The PREMIUM keypad offers all the same function as the STANDARD keypad plus it is possible for you to dispense any length of tape from 5” to 99” in 1” increments. The exception from the STANDARD keypad is there are 10 preset lengths versus 20. There are two versions of the PREMIUM keypad, Short and Long. The Long version has longer pre-programmed lengths than the Short.

To dispense a length of tape 5” to 99” press the NUM LOCK key. The NUM LOCK light is lit and the 0-9 keys are activated. Just press any two keys to get the desired length. For example, press 07 for 7” piece of tape or 77 for a 77” piece of tape. These “custom” lengths can be programmed in the REPEAT SHORT or REPEAT LONG keys by turning on the NUM LOCK, press PROGRAM, press two keys of desired length and then desired REPEAT key to store value. **You must turn off the NUM LOCK mode to verify the length is stored and displayed.**

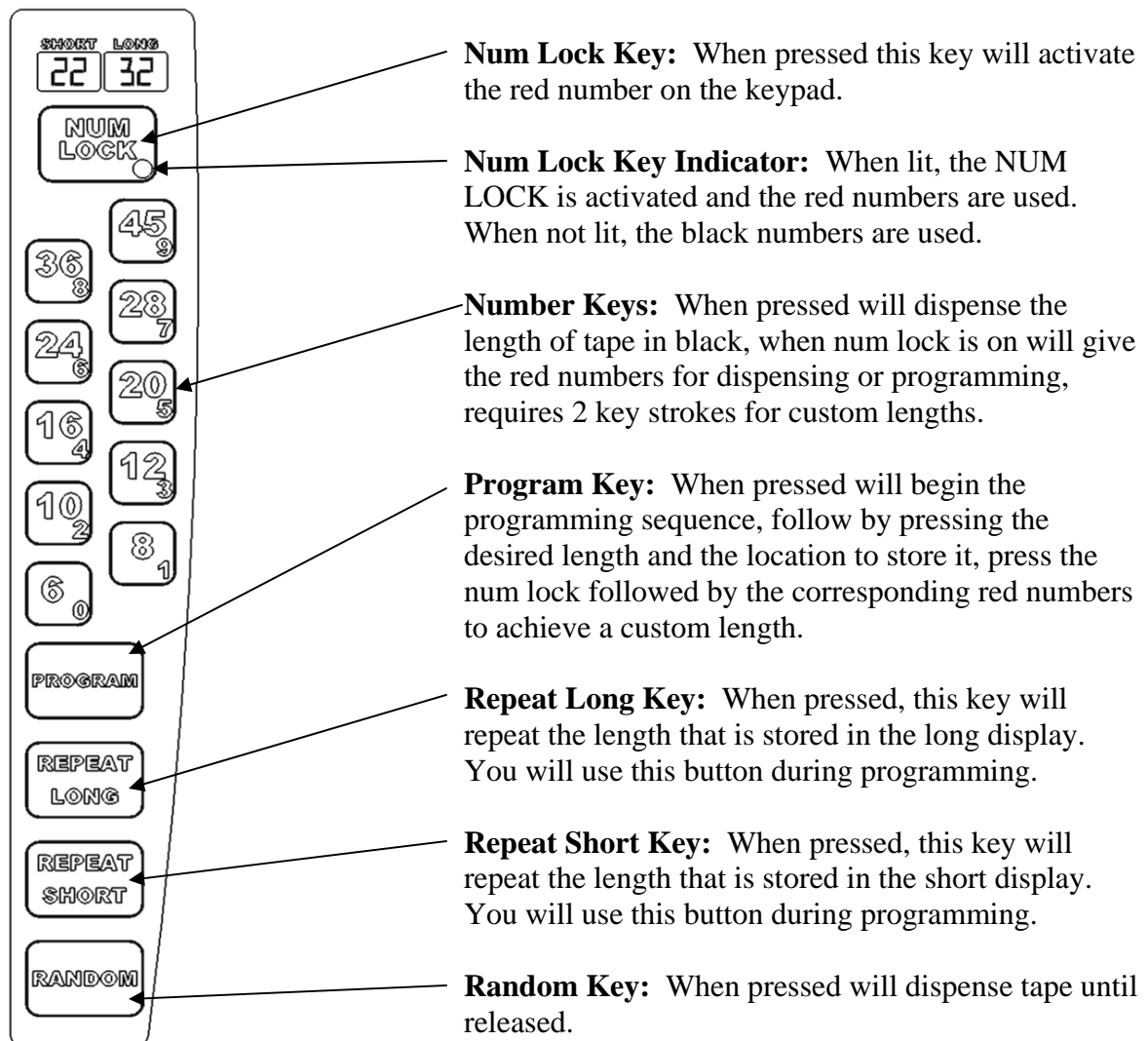


Figure 7 – Premium Short Keypad

## TD2100 PREMIUM Keypad

The Premium keypad offers all the same function as the STANDARD keypad plus it is possible for you to dispense any length of tape from 5” to 99” in 1” increments. The exception from the STANDARD keypad is there are 10 preset lengths versus 20. There are two versions of the PREMIUM keypad, Short and Long. The Long version has longer pre-programmed lengths than the Short.

To dispense a length of tape 5” to 99” press the NUM LOCK key. The NUM LOCK light is lit and the 0-9 keys are activated. Just press any two keys to get the desired length. For example, press 07 for 7” piece of tape or 77 for a 77” piece of tape. These “custom” lengths can be programmed in the REPEAT SHORT or REPEAT LONG keys by turning on the NUM LOCK, press PROGRAM, press two keys of desired length and then desired REPEAT key to store value. **You must turn off the NUM LOCK mode to verify the length is stored and displayed.**

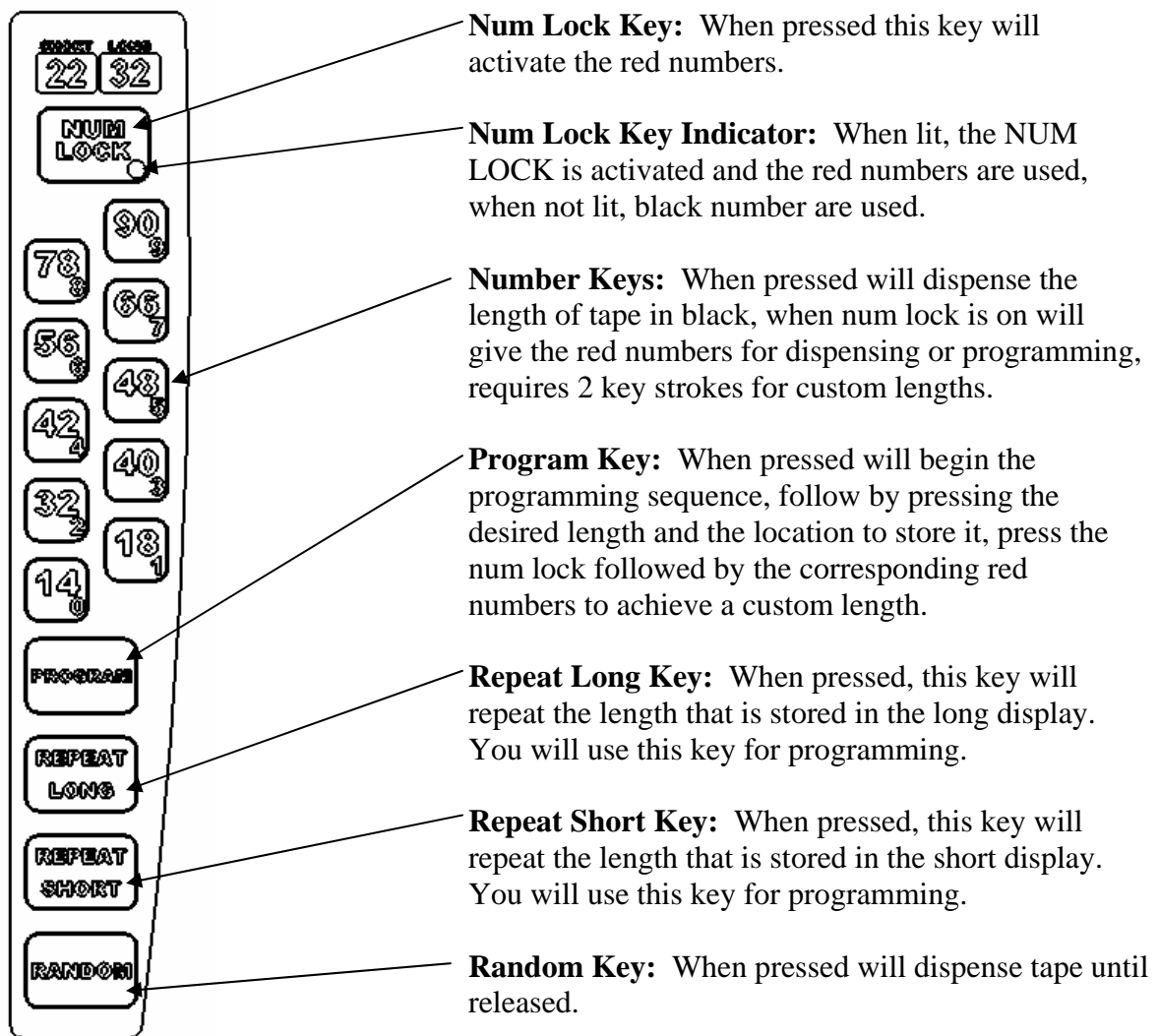


Figure 8 – Premium Long Keypad

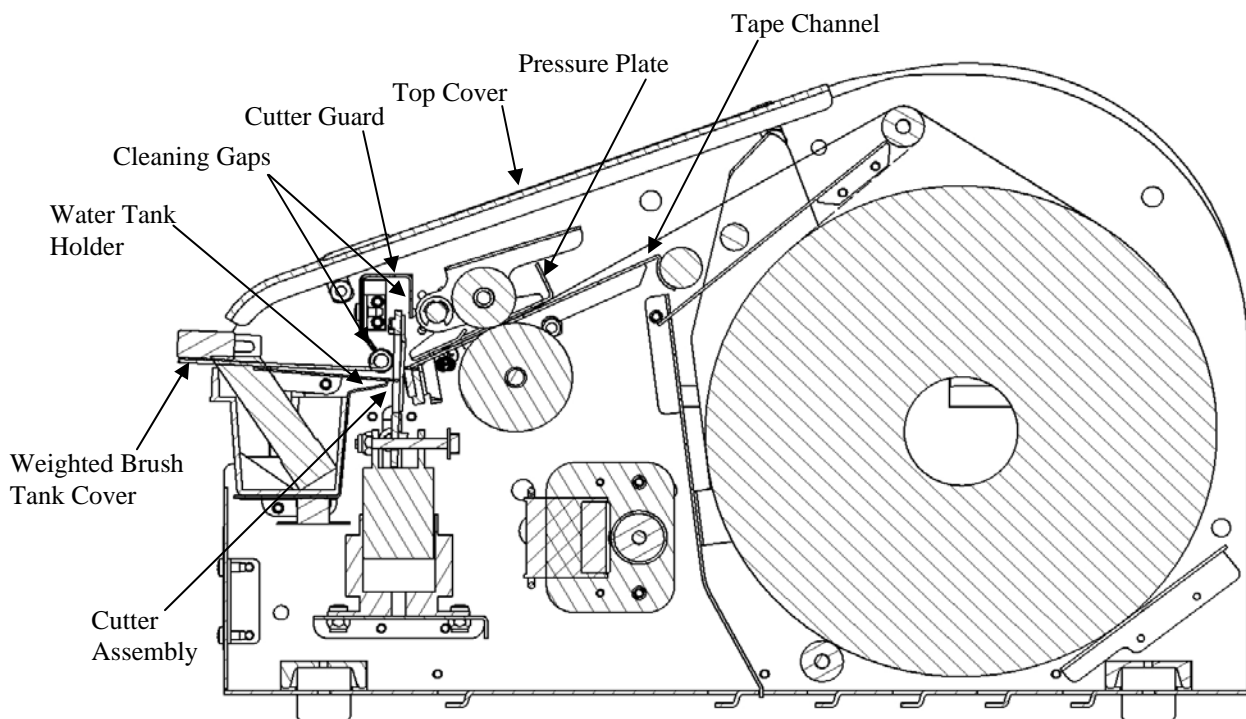
## Maintenance

The Marsh TD2100 requires very little maintenance, but it is important to regularly clean the brush, brush tank, cutter mechanism, and remove debris from the tape path.

**CAUTION: Before beginning maintenance or adjustments be sure the tape machine is turned OFF and unplugged.**

### Cleaning Water Feed System

1. Turn the power switch to the OFF position and unplug the power cord.
2. Clean the brush by soaking it in warm soapy water and then rinse.
3. Clean the brush tank by rinsing it with warm water.
4. Rinse out the water bottle and duckbill valve with warm water.



**Figure 9 – Cleaning the Cutter Assembly, Cleaning the Tape Path**

### **Cleaning the Cutter Assembly – Figure 9**

1. Turn the power switch to the OFF position and unplug the power cord.
2. Open top cover.
3. Remove pressure plate.
4. Remove the tape from the tape path.
5. Using generous amount of a non-flammable lubricant (MG Chemicals Super Penetrating Lubricant [[www.mgchemicals.com](http://www.mgchemicals.com)], is **recommended**), spray the cutter assembly behind the cutter guard, using the available gaps in front and behind the cutter guard. Allow the lubricant to dry or wipe dry.
6. Place the tape back in the tape path, refer to loading tape section.
7. Place the pressure plate back into the machine.
8. Close top cover.

### **Cleaning the Tape Path – Figure 9**

1. Turn the power switch to the OFF position and unplug the power cord.
2. Open the top cover.
3. Remove pressure plate.
4. Remove tape from tape path.
5. Using compressed air remove all debris form the tape path.
6. Using a moist cloth wipe down all sheet metal parts within tape path (tape channel, pressure plate, weighted brush tank cover, and water tank holder) to remove debris and adhesive build-up.
7. Using compressed air remove any visible moisture from the tape path.
8. Referring to the tape loading section, place the tape back into the tape path.
9. Place the pressure plate back in the machine.
10. Close the top cover.

## Troubleshooting

This section describes potential problems you may encounter while working with your TD2100 tape machine and outlines possible causes and solutions for these problems. To avoid problem situations, be sure to follow the procedures in the setup and maintenance sections. **Before performing any repair procedures be sure that the power switch is in the OFF position and the Tape Machine is disconnected from the power source.** For further assistance please contact your Marsh distributor or MSSC, LLC technical support at;

Telephone: (618)-343-1006

Fax: (618)-343-1016

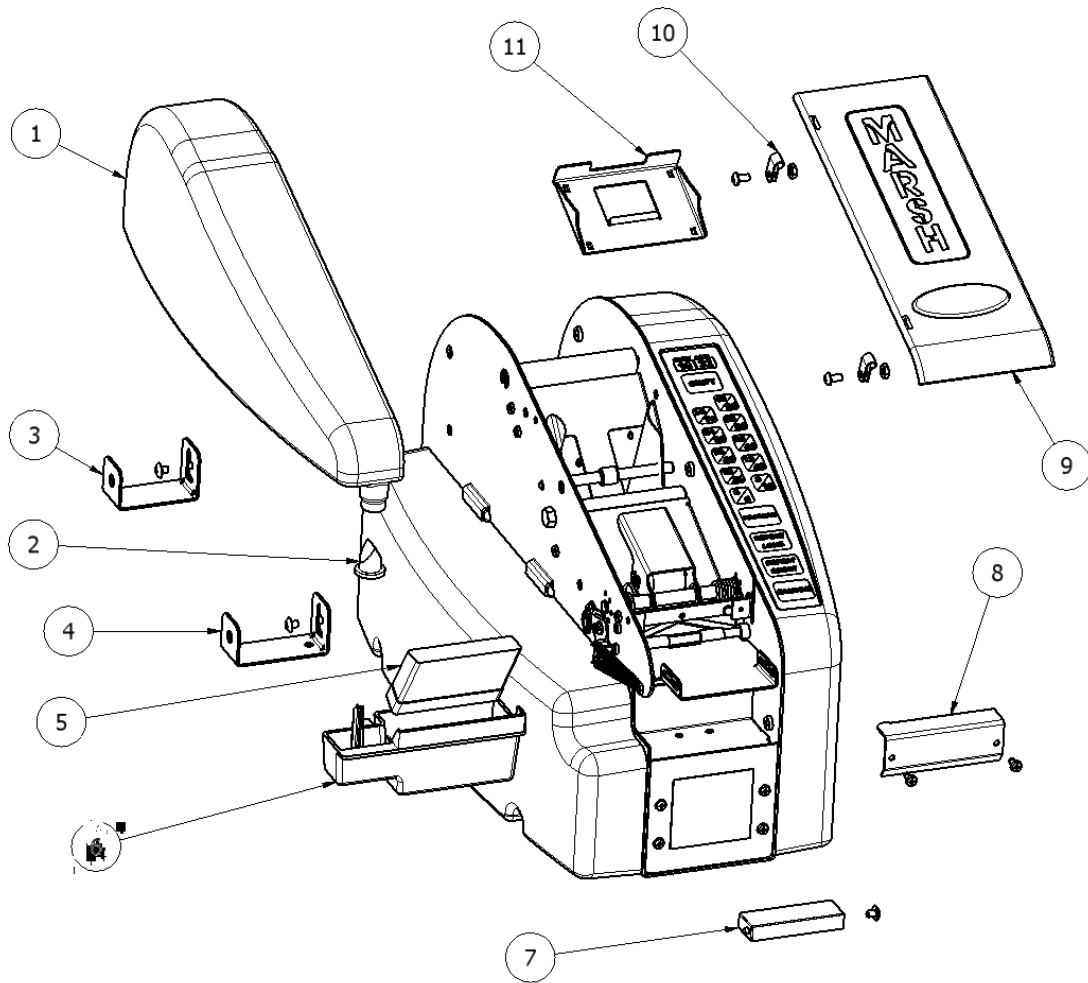
Email: quality.ovl@msscllc.com

### ***The machine will not dispense tape.***

| Possible Cause:   | Solution:  |
|---|--|
| 1. Is the machine plugged in?                               | Plug the machine in.   |
| 2. Is the power switch in the on position?                  | Turn the power switch on.  |
| 3. Is the machine in program mode, is the display flashing? | Press program key to turn off program mode or finish program cycle OR cycle the power off and then back on |

### ***Tape is jamming, tearing, or won't feed.***

| Possible Cause:                           | Solution:  |
|---|--|
| 1. Is there debris in the tape path?      | Clean the tape path, refer to the maintenance section.   |
| 2. Are the tape guides too tight?         | Adjust the tape guides with the tape guide turnbuckle, refer to the loading tape section.  |
| 3. Is the tape routed correctly?          | Route the tape according to <b>Figure 3</b> (p. 7).  |
| 4. Is the pressure plate in place?        | Verify that the pressure plate is in place. The pressure plate must be loaded so it touches the pinch roller shaft and the arrow on the pressure plate points toward the front of the machine. |
| 5. Is there too much weight on the brush? | Adjust the amount of weight on the brush, refer to the setup section.  |
| 6. Is the cutter cutting the tape?        | Clean the cutter assembly, refer to the maintenance section, if problem persists contact your Marsh distributor or MSSC, LLC.  |



| Item Number | Part Number | Description                           |
|-------------|-------------|---------------------------------------|
| 1           | RP40401     | Water Bottle with Duckbill            |
| 2           | RP33460     | Duckbill Valve (Qty 5)                |
| 3           | RP40404     | Rear Water Bottle Bracket with Screw  |
| 4           | RP40403     | Front Water Bottle Bracket with Screw |
| 5           | RP40407     | Brush                                 |
| 6           | RP40405     | Brush Tank                            |
| 7           | RP40517     | Tape Weight with Screw                |
| 8           | RP40325     | Cutter Guard with Screws              |
| 9           | RP40310     | Top Cover                             |
| 10          | RP40311     | Top Cover Hinge with Screw (Qty 2)    |
| 11          | RP40505     | Pressure Plate                        |